


# PRODUCT SHEET

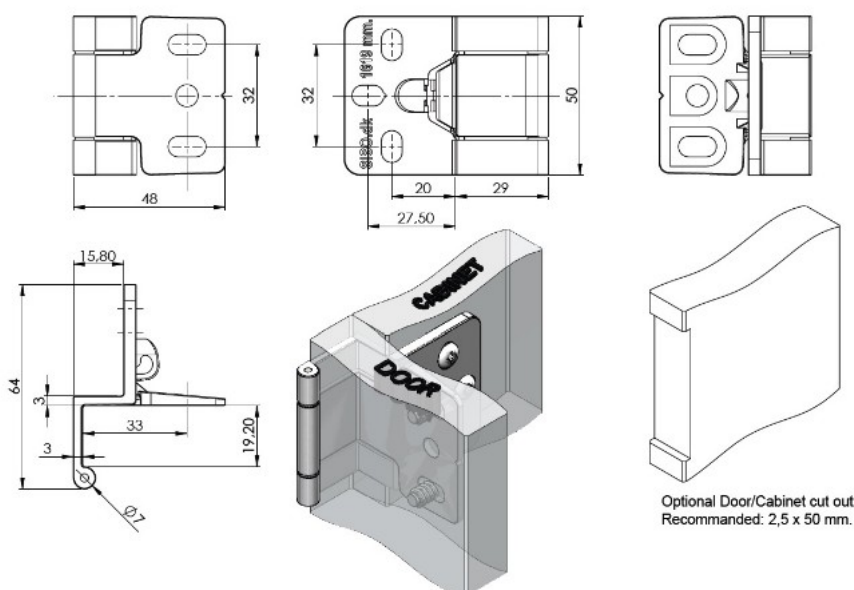
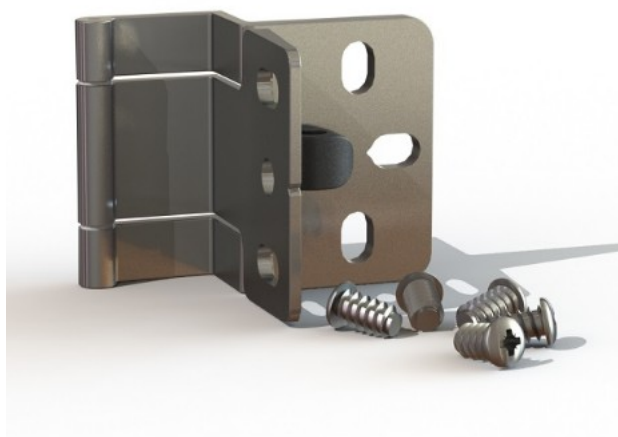
## Description:

Cabinet Hinge "Easy",F/Overlay Doors,CPL,F/16mm Panel & 19mm Door, W/Catch, Zamak Body & Stainless Steel Axle ,Incl. 5, SS Euro Screws  $\varnothing 6,3 \times 16$ mm, Min. 180DG Opening

## Item number:

15.04.140-0

Units	Box	Carton	HS Code	Barcode
Pcs.			8302100090	
				5704866500371



## SISO A/S

Mileparken 11  
DK-2740 Skovlunde  
Denmark  
VAT: DK 24786013

Phone +45 45 830 900

[www.siso.dk](http://www.siso.dk)  
[siso@siso.dk](mailto:siso@siso.dk)

Danske Bank  
Nytorv Branch  
Copenhagen  
SWIFT: DABADKKK

Account no.  
4180 3112 112936  
IBAN Account  
DK7230003112112936